

DL Integrated Temperature Controls *(cont'd.)*

RTBC & RTBC-EP Bulb & Capillary

RTBC is a line-sensing thermostat which is generally used for process temperature maintenance applications in ordinary (non-hazardous) areas. The thermostat is mounted within the enclosure and the capillary is brought out through one of the openings in the bottom of the box. This design provides extra protection for the capillary, especially when the control is mounted on a pipe, for heat tracing applications. The three foot long stainless steel capillary provides good flexibility in mounting locations.

RTBC-EP is a modified version of the RTBC which utilizes a hermetically sealed switch. Since this switch has no arcing contacts it can be used in Division 2 Hazardous Areas.

Specifications

Temp. Setpoint Range — 0 to 400°F (-18 to 200°C) for RTBC, RTBC-EP

Microswitch® Rating — 22 Amps SPDT for RTBC; 11 Amps, RTBC-EP

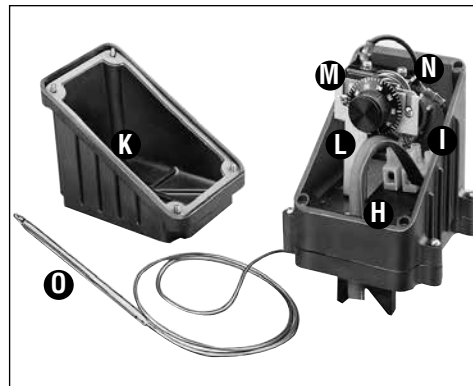
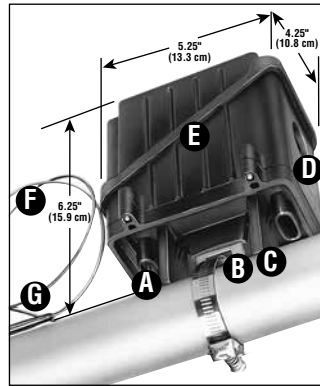
Minor Scale Division — 10°F (5.6°C)

Max. Sensor Exposure Temp. — 450°F (230°C)

Sensor Dimensions — 1/4" (6.4mm) OD x 7-1/4" (18.4cm) L Bulb, 3' (1m) Capillary

Operating Ambient Temp. Range — -40°F to 160°F (-40 to 71°C)

Factory Preset and Calibrated — 200°F (93°C) for RTBC, RTBC-EP



Construction

- A** Strategically placed cable entries allow maximum flexibility for insulation (Heating cable cut away for clarity).
- B** Stainless steel tiedown support provides positive attachment to pipes.¹
- C** Heavy duty support legs give stable pipe mounting and provide conduit clearance for applications with up to three inches of insulation.
- D** Opening for 3/4" (20 mm) conduit hub.¹
- E** Oblique sided box and cover allow easy access for wiring.
- F** Stainless steel capillary (3 ft/1m long).
- G** Stainless steel sensing bulb.
- H** Cable grommets provide water-tight seal between base, box, cable and capillary. Use GRSR with all self-regulating cables. Use GRCW with constant wattage cables. One of each grommet included in kit. See table below for spare grommets.
- I** Three position terminal block for easy wiring.
- J** Power wiring entry. Conduit hub not included.¹
- K** Gasket provides water-tight seal between box and lid. It is affixed to the lid and captures the mounting hardware.
- L** Thermostat mounting bracket.
- M** Setpoint adjustment knob.
- N** Thermostat switch.
- O** Stainless steel sensing bulb.

Note 1 — Refer to DL & EL General Application Accessories at the end of this section.

Spare Grommets

PCN

GRS	RTD/Capillary type	385000
GRO	Blank	385019
GRSR	Self-regulating cable type	389714
GRCW	Constant wattage cable type	389722

Ordering Information — RTBC

Model	PCN	Switch Rating (Amps/Volts)	Max. Continuous Exposure Temp.		Max. Intermittent Exposure Temp.		Wt. (Lbs.)
			°F	°C	°F	°C	
RTBC	389600	22A @ 120 - 480	400	200	500	260	2
RTBC-EP	389618	11A @ 120 - 250	400	200	500	260	2

Stock Status: S = stock NS = non-stock
To Order—Specify model, PCN and quantity.